

Security Fill Cover

“Again! CNI is the first to address the problem of pumping product out of your tanks. “

CNI has solved the fuel theft problem with a unique cover that has a security bolt that can only be opened with a special socket. Order your new installation manhole with a security cover or RETROFIT an existing site. Retrofit kit for **CNI's #STP200 - snap-tight** and **#GAC - gravity cover** and also **other manufacturers**.

Model No's. :

- #SEC12ST-LOK - Snap-tight cover retrofit
- #SEC12GC-LOK - Gravity cover retrofit
- #SEC12OPW-LOK - OPW cover retrofit

Specifications and Features

- * 12" Diameter, steel diamond floor plate with handle
- * Water-tight
- * No maintenance required.
- * Security bolt keeps out unauthorized entry.



Top View



Side View



Bottom View

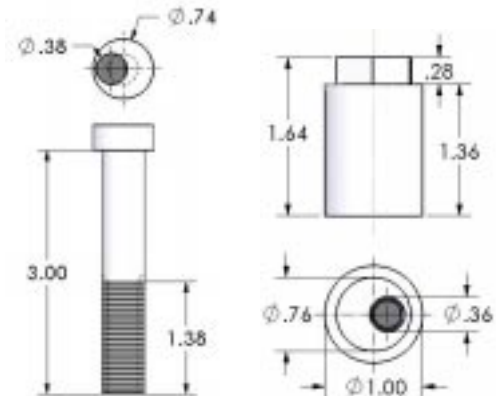
Security Bolt and Socket

Security bolt and socket that prevents unauthorized entry. Replace your standard bolt with this security bolt for protection in any application that requires boltdown.

Model No's. :

- #SEC35-1, 1 security bolt and 1 socket
- #SEC35-2, 2 security bolts and 1 socket
- #SEC35BOLT, 3 1/2" security bolt
- #SEC6BOLT, 6" security bolt
- #SEC12SOCKET-1, security socket

(Cup washer not included)



Specifications and Features

- * 3 1/2 Stainless Steel bolt
- * 1/2"-13 coarse thread
- * Keeps out unauthorized entry.